



FEATURES

- Intel Atom x5-Z8350 Cherry Trail Processor
- Ethernet Port Support 802.3at PoE+ Option and On-board WiFi/BT
- 10.1" LCD Panel with Projected Capacitive Touch Screen
- RS232/RS485 and Customizable I/O for Communication
- Support Windows 10 and Ubuntu Linux

The PPC-6610 is a 10" all-in-one tablet style industrial Panel PC with 1920 x 1200 touch screen. The system equips with high performance Intel Atom x5-Z8350 processor. The system has built-in WiFi and a Ethernet port that support 802.3at PoE+ Power over Ethernet with optional module support make it perfect for industrial control, HMI, digital signage, building automation, vending machine and interactive IoT applications.

SPECIFICATIONS

RUGGEDNESS

Protection Front Panel IP65 Compliant

SYSTEM

Processor Intel Atom x5-Z8350 Processor (2MB Cache, Up to 1.84GHz)
Platform Intel Cherry Trail
Memory 2GB DDR3 1600MHz (Memory Down)
Storage On-board NAND Flash (32GB Default)
OS Support Windows 10, Ubuntu Linux

DISPLAY

Screen Size 10.1" TFT Active Matrix LED Backlight
Resolution 1920 x 1200, **Optional:** 1280 x 800
Brightness 400 nits
View Angle 85° (Left), 85° (Right), 85° (Top), 85° (Bottom)
Contrast Ratio 1300 : 1
Backlight Lifetime 25,000 Hr (Typical)
Touch Type Projected Capacitive Touch Screen
Touch Controller I²C
Display Interface Micro HDMI, LVDS, eDP or MIPI DSI

COMMUNICATIONS

Ethernet 1 x 10/100/1000 Mbps RTL8111F GbE with 802.3at PoE+ Support
Wi-Fi On-board WiFi Module with **Internal Antenna Connector Option**

POWER

Input Voltage 12/19V DC (Typical 12V) or PoE (**with Optional Module**)

I/O INTERFACE

Audio **Optional**, Up to 2 x 1W Speaker
Watchdog Timer Built-in
Camera **Optional:** MIPI CSI Up to 5MP
I/O Ports 1 x RS232/RS485 Via Terminal Block
 2 x USB 2.0 Host
 1 x USB 3.0
 2 x GPIO Via Terminal Block

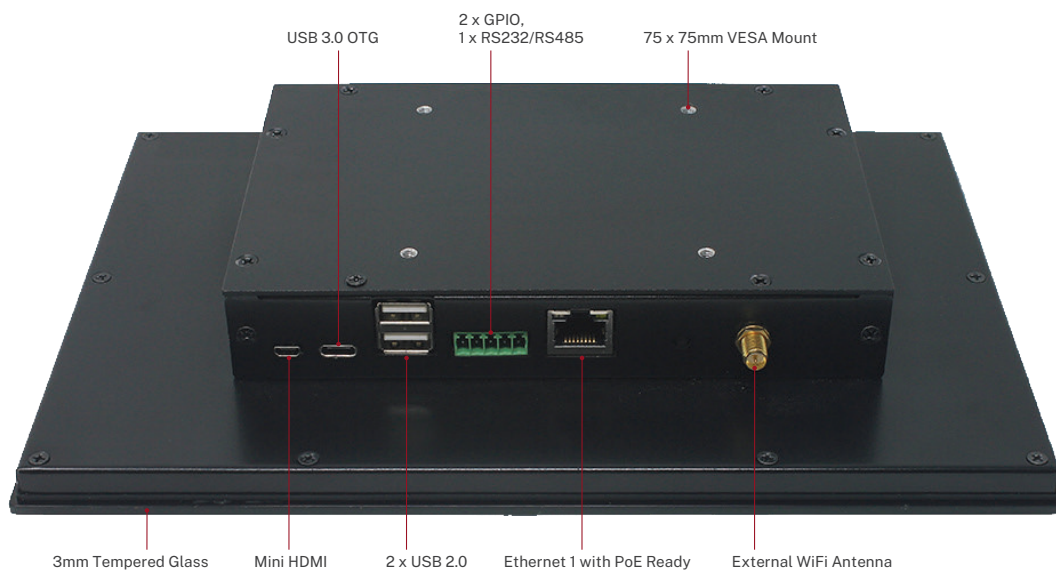
MECHANICAL

Enclosure Material Plastics Bezel, Metal Enclosure
Enclosure Color Black
Dimensions 274 x 178 x 35mm (10.8" x 7" x 1.3")
Mounting Option Wall Mount, Panel Mount or 75 x 75mm VESA Mount
Cooling Fanless

ENVIRONMENTAL

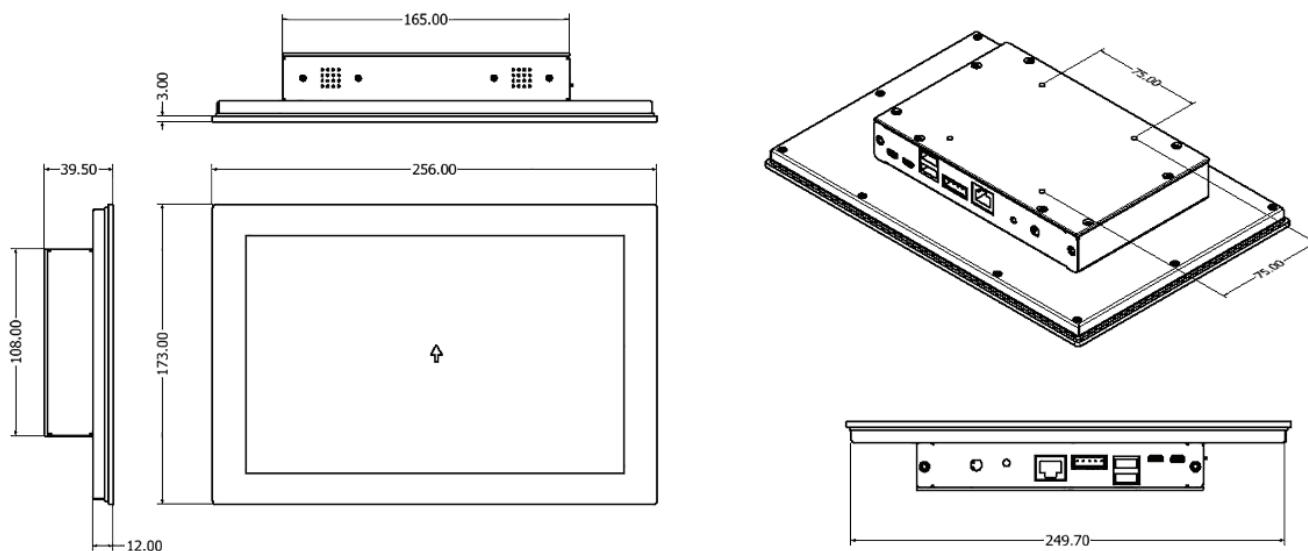
Temperature:
- Operation 0°C to 50°C (32°F to 122°F)
- Storage -20°C to 70°C (-4°F to 158°F)
Humidity 10% to 95% @ 40°C Non-condensing

SYSTEM LAYOUT



PRODUCT DIMENSIONS

Unit: mm



ORDER INFORMATION

Part No.	Description
PPC-6610-E23	10.1" Panel PC / HMI with Z8350 Processor, 2GB RAM, 32GB eMMC, 12V Power Input
PPC-6610-E46	10.1" Panel PC / HMI with Z8350 Processor, 4GB RAM, 64GB eMMC, 12V Power Input