



FEATURES

- NXP i.MX6 Application Processor with Long Life Cycle Support
- Support Up to Two Gigabit Ethernet Ports, with 802.3af PoE Option
- RS232, RS422/RS485 and CAN Bus Port Options
- On-board WiFi Module and Bluetooth 4.1 BLE
- Support Android 6.0.1, Debian Linux and Yocto Embedded Linux
- Slim Vent-hole Free Dustproof Fanless Aluminum Enclosure

The BIS-2230 is a small form factor fanless embedded PC based on INXP i.MX6 application processor. The system supports up to two Gigabit Ethernet ports and Power over Ethernet (PoE) option. The rich I/Os and slim design of this fanless computer fits perfectly for digital signage, kiosk, network security, IoT gateway and other industrial computer applications.

SPECIFICATIONS

SYSTEM

| | |
|------------------|--|
| Processor | NXP i.MX6 1GHz Dual Lite or Quad-core |
| Platform | ARM Cortex A9 |
| Memory | On-board 1GB DDR3 |
| Storage | On-board iNAND Flash (8GB Default), 1 x Micro SD Slot |
| OS | Support Android 6.0.1, Debian Linux and Yocto Embedded Linux |

I/O INTERFACE

| | |
|--------------------------|---|
| Audio | Internal Line-out, MIC-in, Headphone, Speaker Out Headers |
| Display Interface | 1 x Micro HDMI |
| Watchdog Timer | Built-in |
| I/O Ports | 1 x RS232/RS485/CAN 2 x GPIO Via Terminal Block 2 x USB 2.0 Type A 1 x Mini-USB OTG 2 x Internal USB 2.0 Header |
| Expansion | 1 x 40 pin Internal Connector with PCIe x1 for 2nd Ethernet, GPIO, Front Panel Control, PoE Power Input |

POWER

| | |
|--------------------|--|
| Power Input | 5V DC, PoE or 9V - 36V DC (Dual NIC Version) |
|--------------------|--|

COMMUNICATIONS

| | |
|-----------------|---|
| Ethernet | 2 x Gigabit Ethernet, RJ45, One Support 802.3af PoE Power Input (Optional PoE Module) |
| Wireless | On-board WiFi / BT Module 802.11 b/g/n + BLE 4.1 with External Antenna Connector Option |

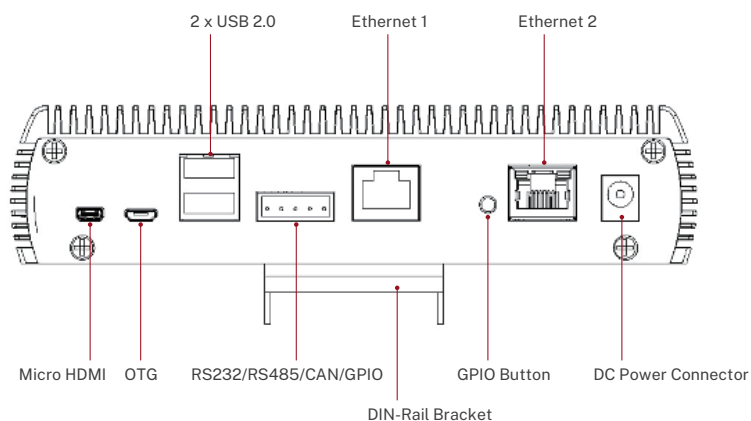
MECHANICAL

| | |
|---------------------------|---|
| Enclosure Material | Aluminum |
| Enclosure Color | Black |
| Dimensions | 170 x 124 x 39mm (6.7" x 4.9" x 1.54") |
| Mounting Option | Support 75 x 75mm VESA Mount, or DIN-Rail Mount with Optional Bracket |
| Cooling | Fanless |

ENVIRONMENTAL

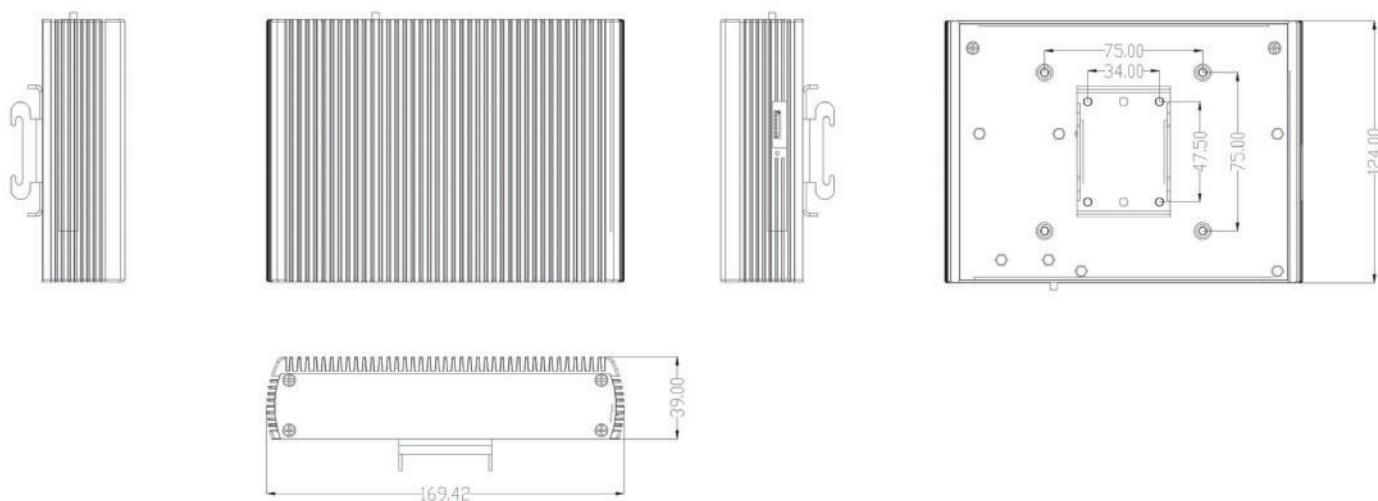
| | |
|---------------------|----------------------------------|
| Temperature: | |
| - Operation | -20°C to 60°C (-28°F to 140°F) |
| - Storage | -40°C to 85°C (-40°F to 185°F) |
| Humidity | 10% to 95% @ 40°C Non-condensing |

SYSTEM LAYOUT



PRODUCT DIMENSIONS

Unit: mm



ORDER INFORMATION

| Part No. | Description |
|--------------|---|
| BIS-2230-DLS | Fanless PC with i.MX6 DL Processor, Single GbE, 5V DC Power Input |
| BIS-2230-DLP | Fanless PC with i.MX6 DL Processor, Single GbE, POE Power Input |
| BIS-2230-DLT | Fanless PC with i.MX6 DL Processor, Dual GbE, DC Power Input |
| BIS-2230-QPT | Fanless PC with i.MX6 Q Processor, Dual GbE, DC Power Input |
| CBL-2230-DIN | DIN-Rail Mount Bracket |