



### FEATURES

- Intel Celeron, i3 5005U Or i5 5200U Processor
- Two Built-In Gigabit Ethernet Ports + Mini-PCIe Wi-Fi Option
- Two USB 3.0, Four USB 2.0 Ports & One Optional RS-232
- Support Dual HDMI With Dual Independent Display
- One 2.5" SATA 3.0 HDD/SSD Drive Bay & One mSATA Slot
- Built-In Mini-PCIe With SIM Card Connector
- Slim Vent-Hole Free Dustproof Fanless Aluminum Enclosure

The BIS-6861 is a small form factor, fanless embedded PC powered by an Intel 5th Generation Core i3 or i5 Processor. The system supports two Gigabit Ethernet ports and two independent displays via HDMI ports. The high performance CPU and GPU of this slim, fanless computer fits perfectly for digital signage, kiosk, network security, IoT gateway and other industrial computer applications.

### SPECIFICATIONS

#### SYSTEM

Processor	Intel Core i3-5005U (3M Cache, 2.0 GHz) <b>Options:</b> Intel Core i5-5200U (3M Cache, 2.7 GHz)
Platform	Intel Broadwell
Memory	1x 204-pin SO-DIMM Slot, DDR3L 1333/1600 MHz, Up To 8GB
Storage	1x 2.5" SATA HDD/SSD Drive Bay 1x mSATA Slot

#### DISPLAY

Interface	1x HDMI Type A 1x HDMI Type C
Graphic Controller	Intel HD Graphics 5500

#### COMMUNICATIONS

Ethernet	2x 10/100/1000 Mbps Realtek 8111F GbE
Wi-Fi	On-Board Mini-PCIe Slot (Module Not Included) Internal & External Antenna Connector

#### I/O INTERFACE

Audio	Audio-Out MIC-In
Ports	4x USB 2.0 2x USB 3.0 <b>Option:</b> 1x RS-232

#### EXPANSION I/O

Expansion	1x Mini PCIe With SIM Card Connector
-----------	--------------------------------------

#### MECHANICAL

Cooling	Fanless
Watchdog Timer	Built-in
Enclosure Material	Aluminum
Enclosure Color	Black
Mounting ( <b>Option</b> )	Support 75 x 75mm / 100 x 100mm VESA Mount
Dimensions	191mm x 151mm x 21mm (7.5" x 5.4" x 1.1")

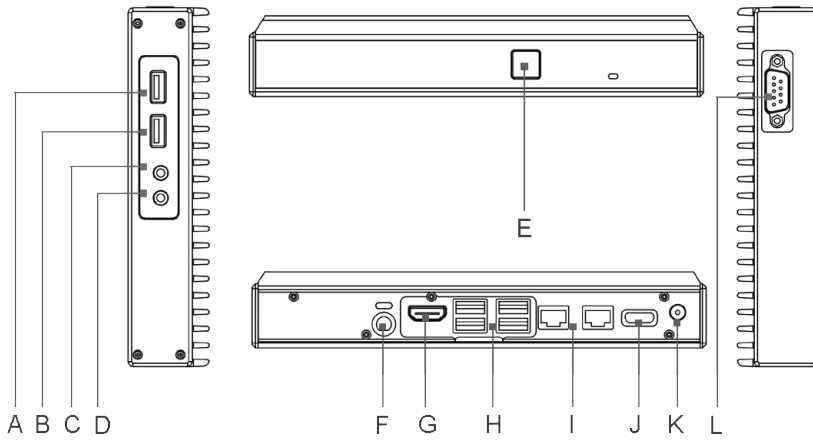
#### POWER

Input Voltage	12V/19V DC 2.5mm Power Jack
---------------	-----------------------------

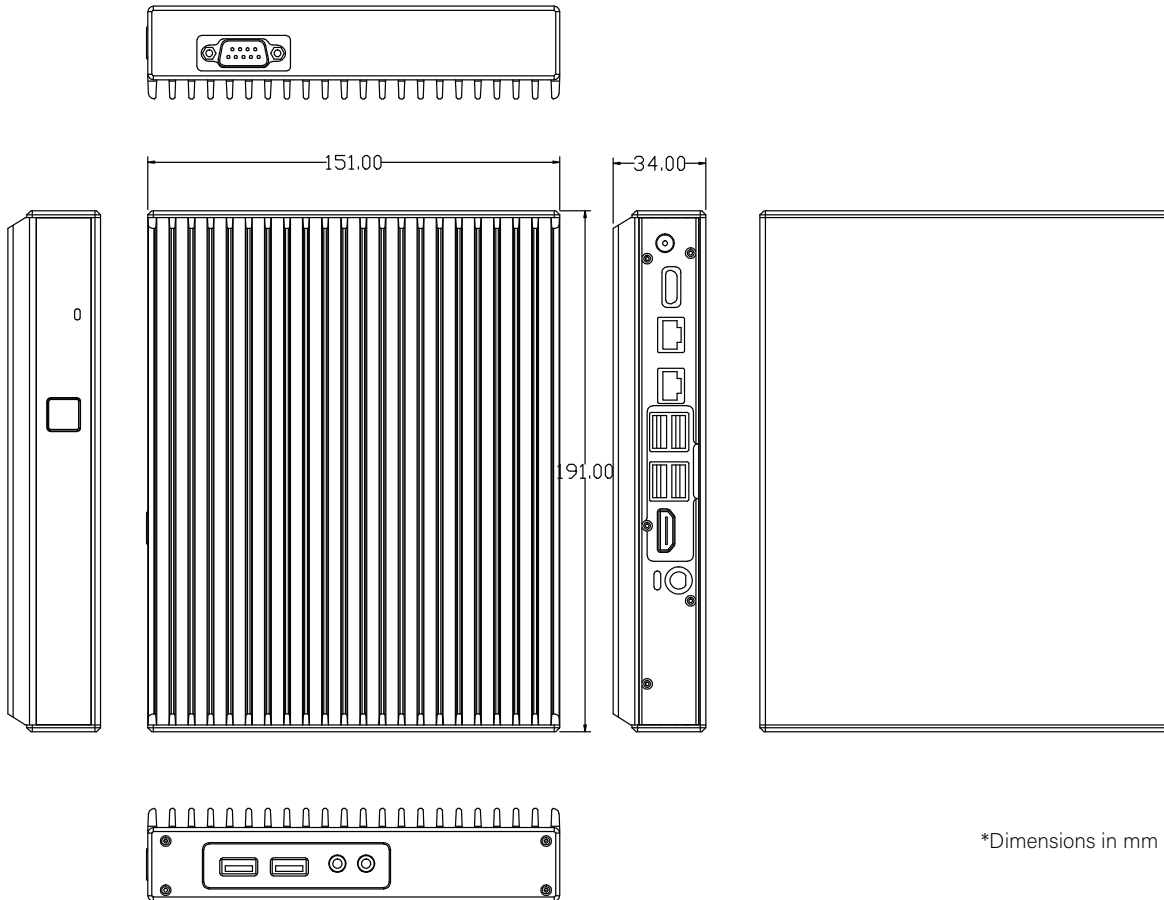
#### ENVIRONMENTAL

Operating Temp	-20°C to 60°C (-28°F to 140°F)
Storage Temp	-40°C to 85°C (-40°F to 185°F)
Humidity	10% to 95% @ 40°C (Non-Condensing)

\*Specifications are representative. Specific product technology may be different than indicated.



- A. 1 x USB 3.0
- B. 1 x USB 3.0
- C. Audio Out
- D. MIC In
- E. Power Button
- F. WiFi Antenna Connector
- G. HDMI 1
- H. 4 x USB 2.0
- I. 2 x GbE Ethernet
- J. HDMI 2
- K. DC Power In
- L. COM 1



\*Dimensions in mm

### ORDER OPTIONS

PART NUMBER	DESCRIPTION
BIS-6861-I3	Intel Core i3 5005U Fanless Barebone Computer With Two Ethernet
BIS-6861-I5	Intel Core i5 5200U Fanless Barebone Computer With Two Ethernet
CBL-6774-VESA	75 x 75mm / 100 x 100mm VESA Mount Bracket