



### FEATURES

- 7" LCD Panel With Projected Capacitive Touchscreen
- Intel Atom x5-Z8350 Cherry Trail Processor
- Ethernet Port With 802.3af PoE Option & On-board Wi-Fi/BT
- Windows 10, Android Or Linux
- RS-232/485 & Customizable I/O For Communication
- Dual Color GPIO Controllable LED Light-bar Options
- NFC, Camera, Customizable Touch Buttons & Light Sensor Options

The PPC-6607 is a 7" all-in-one tablet style industrial panel PC with 1024 x 600 touchscreen. The system is equipped with a high performance Intel Atom x5-Z8350 processor. The system has built-in Wi-Fi and an Ethernet port with an optional 802.3af POE Power over Ethernet module makes it perfect for industrial control, HMI, digital signage, building automation, vending machines and interactive IoT applications.

### SPECIFICATIONS

#### SYSTEM

Processor	Intel Atom x5-Z8350 Processor (2M Cache, up to 1.84 GHz)
Platform	Intel Cherry Trail
Memory	2GB DDR3 1600MHz <b>Option:</b> 2GB or 4G DDR3 1600MHz
OS	Windows 10, Android, Linux
Storage	On-board iNAND Flash 32GB <b>Option:</b> On-board iNAND Flash 64GB

#### DISPLAY

Interface	LVDS Micro HDMI eDP MIPI DSI
Display Type	TFT Active Matrix LED Backlight
Screen Size	7"
Resolution	1024 x 600
Luminance	400 cd/m <sup>2</sup>
View Angle	75°
Contrast Ratio	800:1
Backlight Lifetime	15,000 Hr (Typical)
Touch Screen	Projected Capacitive Touch Screen
Touch Controller	IC

#### COMMUNICATIONS

Ethernet	1 x 10/100/1000 Mbps RTL8111F GbE
Wi-Fi	On-Board Wi-Fi Module Internal Antenna Connector

#### I/O INTERFACE

Audio ( <b>Option</b> )	Up to 2x 10W Speakers
Camera ( <b>Option</b> )	MIPI CSI up to 5MP
Ports	1x RS-232/485 via Terminal Block 2x USB 2.0 1x USB 3.0 2x GPIO via Terminal Block

#### MECHANICAL

Cooling	Fanless
Watchdog Timer	Built-in
Enclosure Material	Plastic and Metal
Enclosure Color	Black
Mounting	Wall Mount Panel Mount
Dimensions	75 x 75 mm VESA Mount 190mm x 125mm x 35mm (7.5" x 4.9" x 1.37")

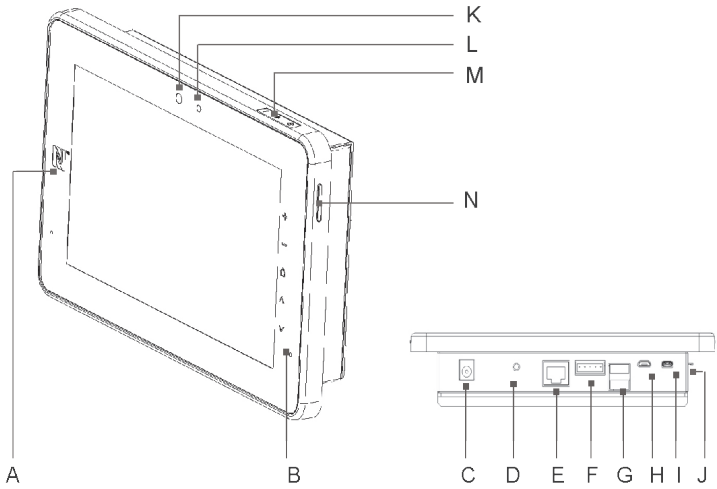
#### POWER

Input Voltage	12/19V DC (Typical 12V) <b>Option:</b> 802.3af PoE (with Module)
---------------	--

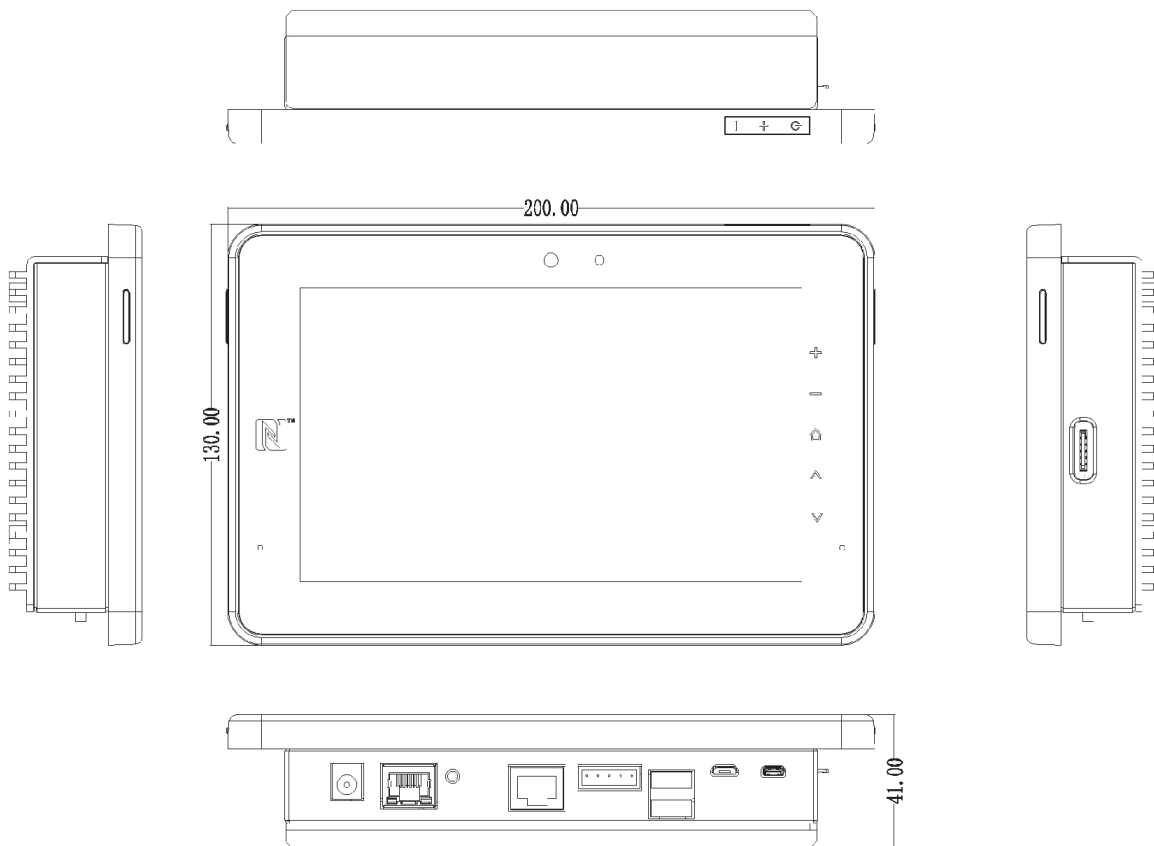
#### ENVIRONMENTAL

Protection	Front Panel IP-65
Operating Temp	0°C to 50°C (32°F to 122°F)
Storage Temp	-20°C to 70°C (-4°F to 158°F)
Humidity	10% to 95% @ 40°C (Non-Condensing)

\*Specifications are representative. Specific product technology may be different than indicated.



- A. NFC Option
- B. Touch Button Option
- C. 12V DC In
- D. Reset/Recover Button
- E. 1x GbE
- F. 1x RS-232/485/CAN  
2x GPIO
- G. 2x USB
- H. OTG
- I. Micro HDMI
- J. Micro SD
- K. Camera Option
- L. Light Sensor Option
- M. Power Button
- N. GPIO Light Bar Option



### ORDER OPTIONS

PART NUMBER	DESCRIPTION
PPC-6607-S23	7" Panel PC / HMI with Z8350 Processor, 2G RAM, 32G eMMC, 12V power input
PPC-6607-P23	7" Panel PC / HMI with Z8350 Processor, 2G RAM, 32G eMMC, POE power input
PPC-6607-S46	7" Panel PC / HMI with Z8350 Processor, 4G RAM, 64G eMMC, 12V power input
PPC-6607-P46	7" Panel PC / HMI with Z8350 Processor, 4G RAM, 64G eMMC, POE power input